

ALUMINUM FENCE INSTALLATION GUIDELINES

THIS MANUAL IS FOR **RESIDENTIAL** FENCE ONLY. ALL FENCE AND GATES **MUST** BE INSTALLED TO CONFORM WITH LOCAL BUILDING CODE REGULATIONS. LOCAL MUNICIPALITIES MAY REQUIRE A SETBACK FROM PROPERTY LINE TO FENCE LINE. IT IS IMPORTANT TO FIND OUT ALL THE REQUIREMENTS BEFORE INSTALLING YOUR FENCE.

DON'T FORGET TO CALL **811** TO LOCATE ALL UNDERGROUND UTILITIES BEFORE YOU BEGIN DIGGING.

1. LAYOUT AND PLANNING

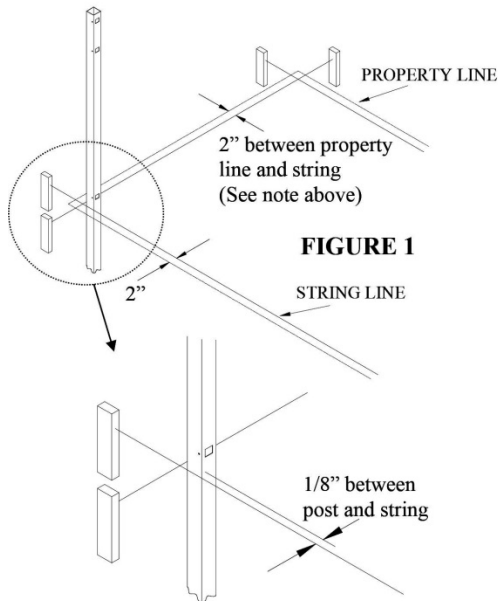


FIGURE 1

1. First stake out the area and run strings around as shown in Figure 1.
2. Start by installing the gate posts. See your local dealer for proper gate post spacing.
3. Proceed to dig post holes. Post center to center measurement will be 72 ½" center to center.

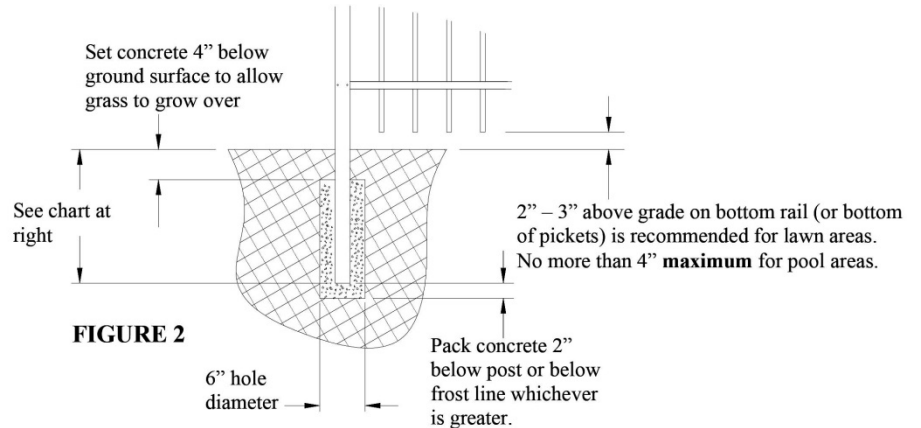


FIGURE 2

2. INSTALLATION

1. Working out from where the gates are installed slide a section of fence into the gate post holes and into the next post. See Figure 3. Fence sections must be inserted entirely into the post to meet code.
2. Fill the post hole with a stiff concrete mix being sure that the concrete extends below the bottom of the post. Make sure R/O of posts is correct for gate to allow for hardware. See your dealer for details.
3. Plumb the posts and pickets while the concrete is setting. The fence section can rack allowing the rails to follow the contour of the ground. Brace the posts as necessary while the concrete is setting.
4. Fence rails will need to be mitered for corner posts. See Figure 4. Fence sections may be cut to length as necessary. Cut fence sections will need to be notched as shown in Figure 5.
5. Use a rubber mallet to drive the post caps onto the posts. Be careful not to damage the post or caps. See Figure 3
6. Additional hardware is available to attach posts and rails to walls.
7. After concrete has set fasten the posts to the fence with #8 x 1" self-drilling self-tapping screws provided. Be careful not to over-tighten because screw heads may break off or the threads may strip out.

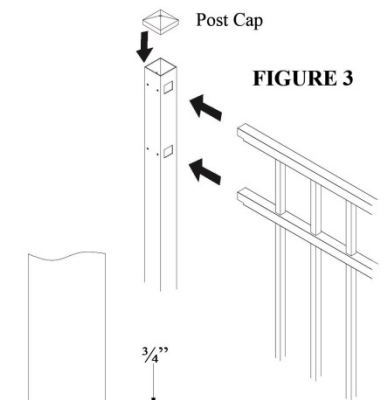


FIGURE 3

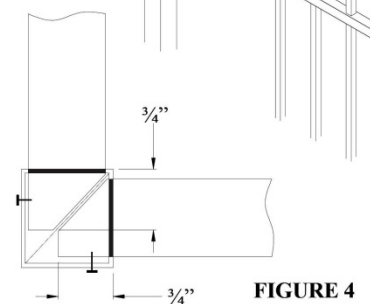


FIGURE 4

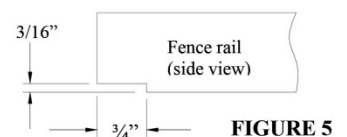


FIGURE 5