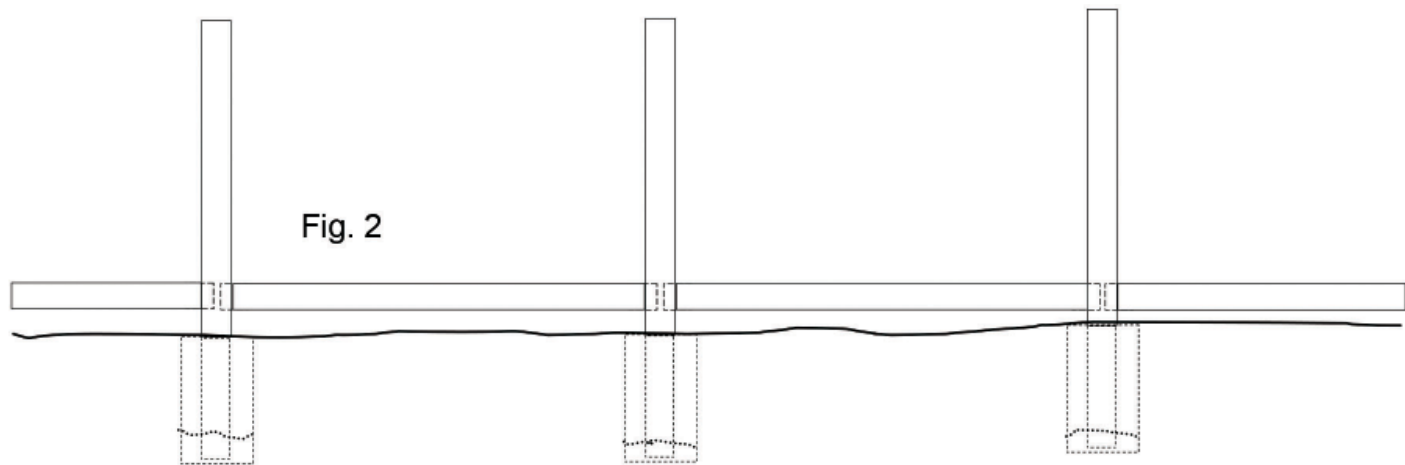


# FENCE INSTALLATION INSTRUCTIONS

for Open Picket Style Fences

**Instruction details shown are suggestions only. Builder is solely responsible for determining best methods based on individual project and site conditions.**

- 1. Have all underground services located by your local utility companies.**
2. Stake the fence line and mark for all post holes. Use of a string line will insure a straight run. Post hole spacing is determined by the width and style of fence section being used. Check the specifications for the specific fence style to determine proper post spacing.
3. Dig the post holes. Posts should extend below grade 24" to 30" depending on fence style. A 8" min. diameter hole is recommended for a 4x4 post.
4. Position the posts in the holes (a small amount of gravel or dirt placed in the hole will help to temporarily support the post). Install the bottom rails between the posts.
5. Use a string line to straighten the run. Check all post for plumb and proper spacing. Adjust post depth to maintain the desired distance between grade and the bottom rail. Temporary bracing of posts and blocking under bottom rail may be required. (Fig. 2)

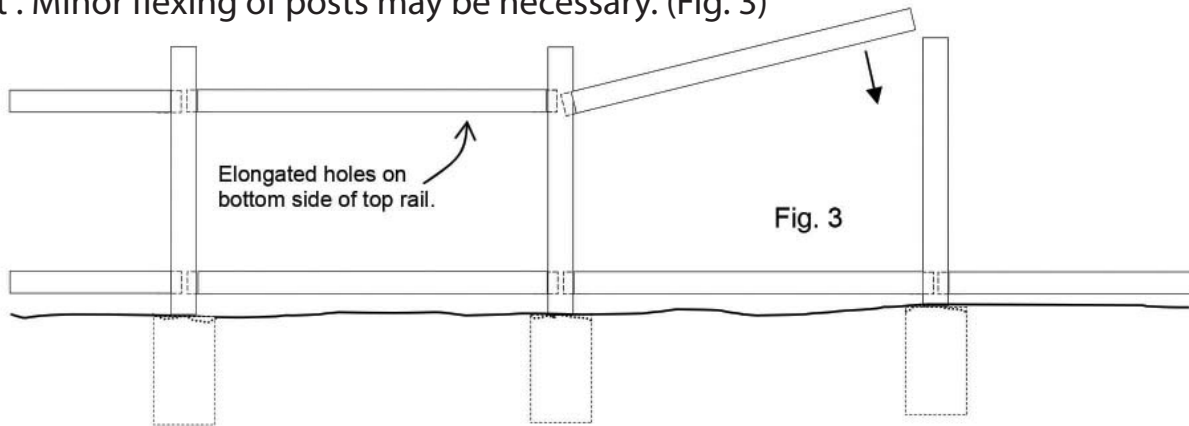


6. Double check fence line as outlined in step 5, then carefully fill holes with concrete and allow to harden before continuing.

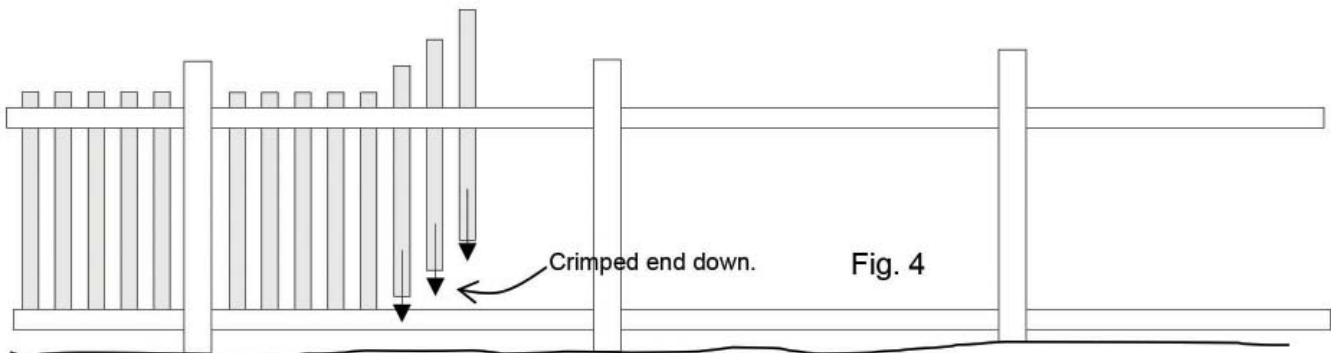
# FENCE INSTALLATION INSTRUCTIONS

for Open Picket Style Fences

7. Install top rails. Note that top rails have **elongated holes on the bottom side**. This allows for racking of fence panels to match sloped grades. Top rails will be a "tight fit". Minor flexing of posts may be necessary. (Fig. 3)

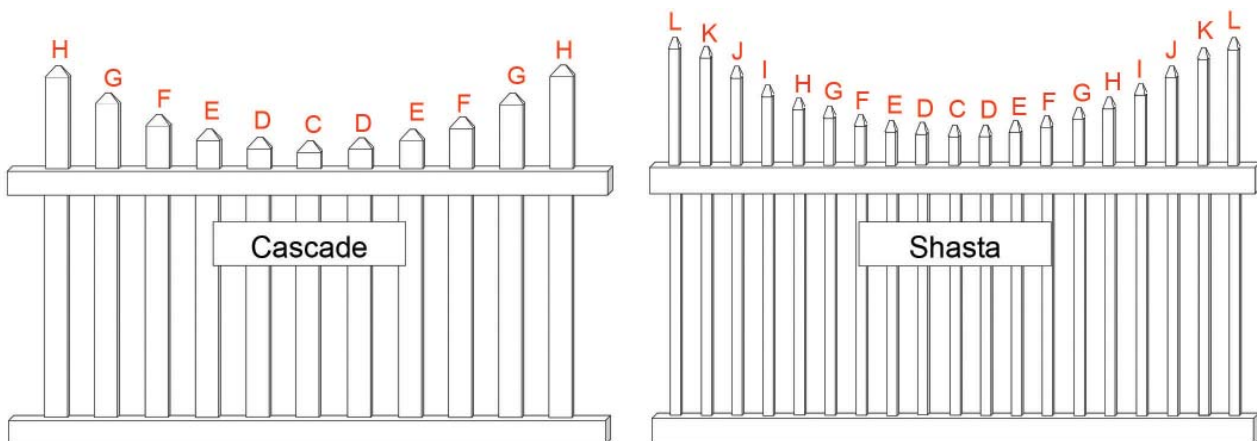


8. Install pickets by passing the crimped end through the top rail and locking it into bottom rail. Install picket caps. (Fig. 4)



9. Install post caps. Secure in place with a small amount of Christy's Hot Glue (part #CHG) or clear silicone caulk.

## PICKET LENGTH GUIDE FOR SCALLOPED TOP FENCE



6' wide scalloped top fences (Cascade and Shasta series) will have the different picket lengths bundled separately and identified by letters, starting with "C" for the center picket and advancing alphabetically to the outermost picket. 8' wide sections will have more pickets, but will follow the same pattern.