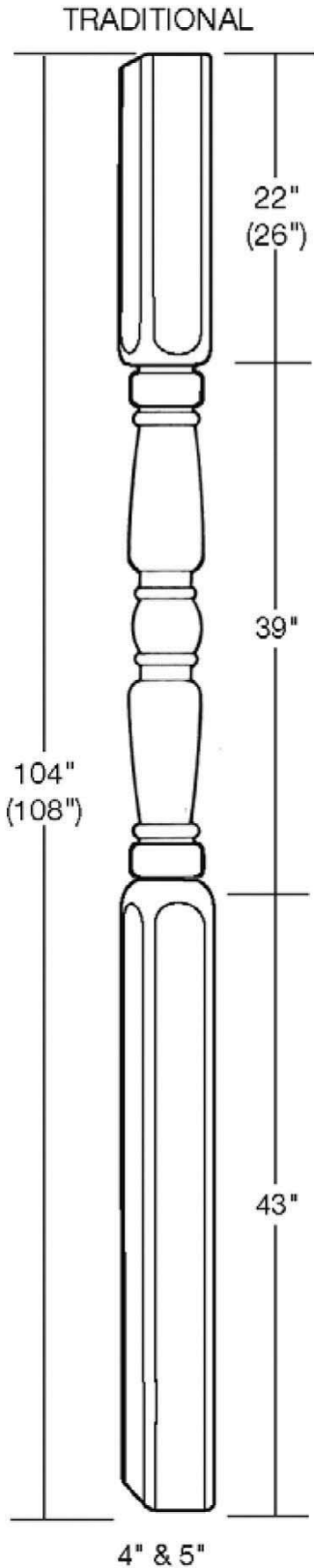


STRUCTURAL PORCH POST INSTALLATION



Parts List

- 1- Porch Post
- 2- Metal Mounting Plates
- 8- #10 x 1½" S.S. Screws
- 4- #10 x 1½" White Screws
- 4- #10 x 1¾" TAPCON™ Screws

STEP 1

Measure opening where post is to be installed. Deduct 3/8" from your measurement for the plates to determine your post length.

For 36" railing: Trim no more than 6" from the bottom of the post with the remaining trimmed from the top.

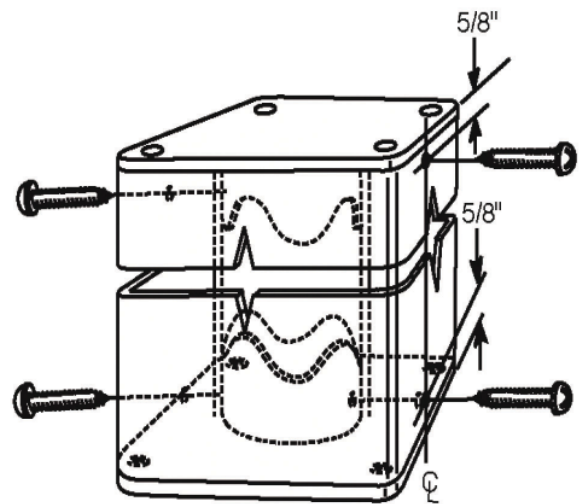
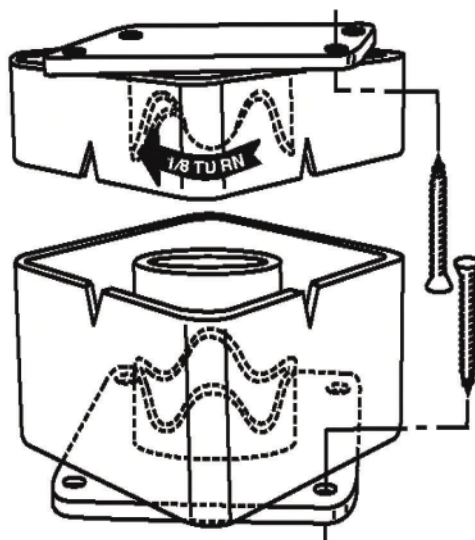
Important

When cutting bottom of post, make sure your cut is the same pitch as slope of the base! Use a chop(mitre) saw with a carbide tipped multi-purpose blade.

STEP 2

Install top and bottom plate onto post. Raise roof or ceiling approx. 1/16" to 1/8" then position post in place. Turn post 1/8 turn. Fasten top plate with (4) #10 x 1½" S.S. screws. Fasten bottom plate to concrete floor with (4) #10 x 1¾" TAPCON™ Screws. Use (4) #10 x 1½" S.S. screws to fasten bottom plate to wood floor. Turn post back to it's proper position on plates and lower roof.

(No need to fasten screws into sides of post unless uplift support is needed.)



Uplift Storm Support Instructions

On opposite (opposing) sides, drill a 1/8" hole thru the post and plate 5/8" from the deck and ceiling. Screw post to plate using #10 x 1½" white screws.